

18.4.3 Capture/compare channels

Input stage

Refer to [Section 17.5: TIM1 capture/compare channels on page 159](#).

There are two input channels, as shown in [Figure 82: Input stage block diagram](#).

Figure 82. Input stage block diagram

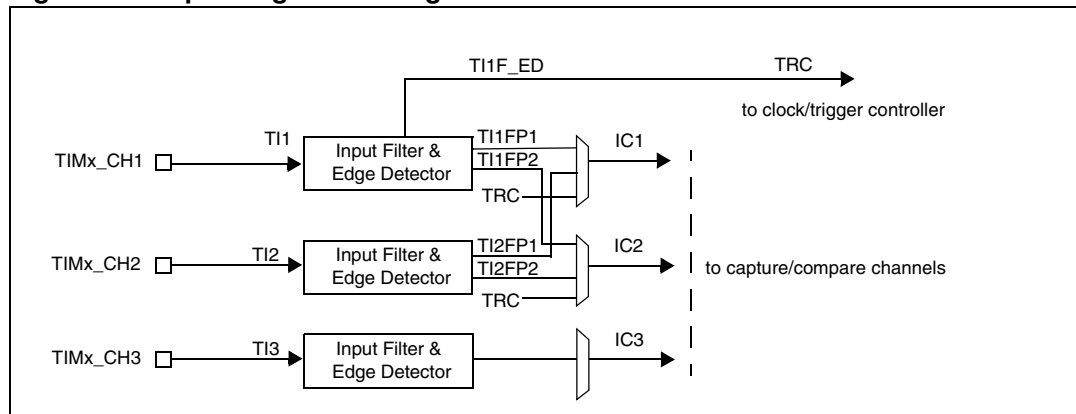


Figure 83. Input stage of TIM 2 channel 1

